



## FEATURES

- Low cost! Highly reliable!
- Proven SMT-on-pcb construction
- Qual tested; HALT tested; EMC tested
- Designed to meet UL/EN60950-1
- Output voltages:  $\pm 5$ ,  $\pm 12$  or  $\pm 15$  Volts
- Wide input voltage ranges:  
4.7-7.25V, 9-18V or 18-75V
- Small packages, 2" x 1" x 0.375"
- Industry-standard pinouts
- Fully isolated, 1500Vdc guaranteed
- Guaranteed efficiencies to 82%
- $-40$  to  $+100^{\circ}\text{C}$  operating temperature
- Modifications and customs for OEM's
- Select models are RoHS compliant

## PRODUCT OVERVIEW

It's hard to beat the combination of low cost, small size (standard 2" x 1" x 0.375" package) proven reliability and outstanding electrical performance offered by the 7-10W, dual-output models of MPS's new A-Series DC/DC converters. These highly efficient, rugged converters combine straightforward circuit topologies, the newest components, proven SMT-on-pcb construction methods, and highly repeatable automatic-assembly techniques. Their superior durability is substantiated by a rigorous in-house qualification program that includes HALT (Highly Accelerated Life Testing).

The wide input voltage ranges of these A-Series duals (4.7-7.25V for "D5A" models, 9-18V for "D12A" models and 18-75V for "D48A" models) make them excellent candidates for battery-powered systems or for distributed power architectures. Their  $\pm 5$ ,  $\pm 12$  or  $\pm 15$  Volt outputs cover virtually all standard applications.

These popular power converters are fully isolated (1500Vdc guaranteed) and display excellent line and load regulation ( $\pm 0.3\%$  max. for line and  $\pm 1\%$  max. for load). They are completely I/O protected (input overvoltage shutdown and reverse-polarity protection, output current limiting and overvoltage protection) and contain input (pi type) and output filtering to reduce noise. They require no external components and offer true "plug-and-play" convenience.

These extremely reliable, cost-effective power converters carry industry-standard pinouts making them ideal replacements for other more costly, less reliable power converters in computer, telecom/datacom, instrumentation and ATE applications. They are an excellent choice for both new design-ins and upgrading older systems.

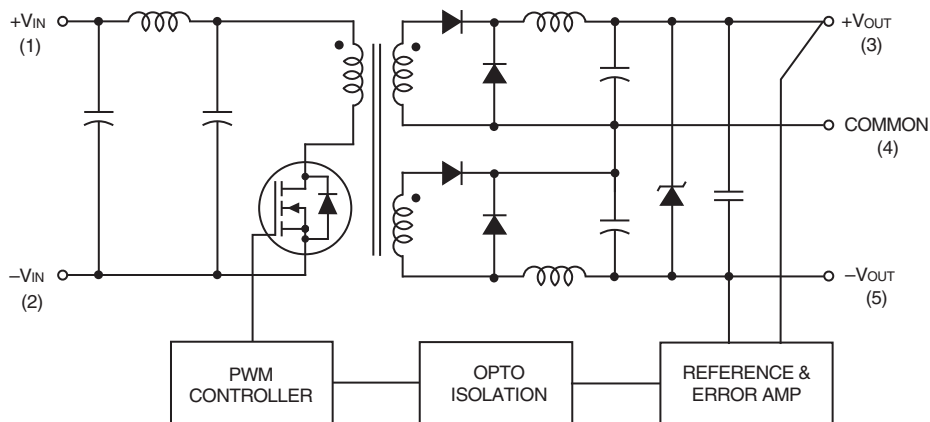


Figure 1. Simplified Schematic

Typical topology is shown.



### Performance Specifications Summary and Ordering Guide <sup>①</sup>

Model	Output						Input			Efficiency		Package (Case, Pinout)
	V <sub>OUT</sub> (Volts)	I <sub>OUT</sub> (mA)	R/N (mVp-p) <sup>②</sup>		Regulation (Max.)		V <sub>IN</sub> Nom. (Volts)	Range (Volts)	I <sub>IN</sub> <sup>④</sup> (mA)	Min.	Typ.	
			Typ.	Max.	Line	Load <sup>③</sup>						
BWR-5/700-D5A	±5	±700	50	75	±0.3%	±1.0%	5	4.7-7.25	25/1772	76%	79%	C2, P12
BWR-5/900-D12A*	±5	±900	75	100	±0.3%	±1.0%	12	9-18	25/930	81%	82%	C2, P12
BWR-5/700-D48A*	±5	±700	50	100	±0.3%	±1.0%	48	18-75	15/180	79%	81%	C2, P12
BWR-12/335-D5A	±12	±335	75	120	±0.3%	±1.0%	5	4.7-7.25	40/1846	76%	78%	C2, P12
BWR-12/415-D12A*	±12	±415	100	120	±0.3%	±1.0%	12	9-18	20/986	83%	84%	C2, P12
BWR-12/415-D48A*	±12	±415	75	120	±0.3%	±1.0%	48	18-75	15/249	80.5%	84%	C2, P12
BWR-15/275-D5A	±15	±275	75	120	±0.3%	±1.0%	5	4.7-7.25	40/2089	75%	79%	C2, P12
BWR-15/330-D12A*	±15	±330	75	120	±0.3%	±1.0%	12	9-18	25/980	83%	84%	C2, P12
BWR-15/330-D48A*	±15	±330	75	120	±0.3%	±1.0%	48	18-75	15/250	80.5%	82.5%	C2, P12

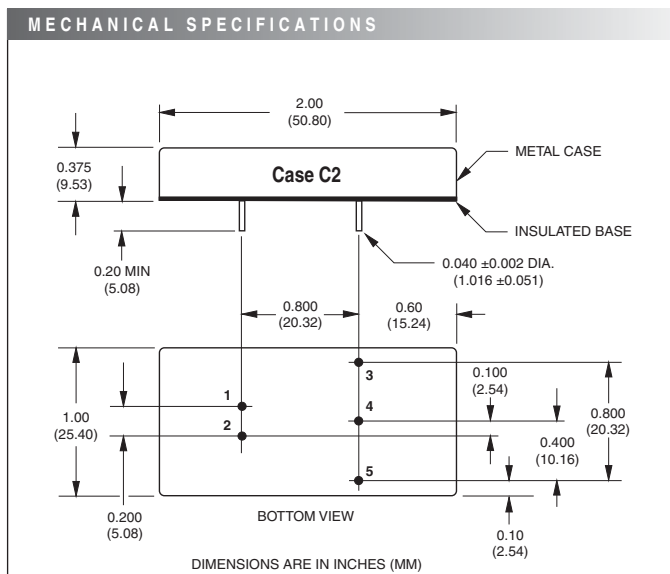
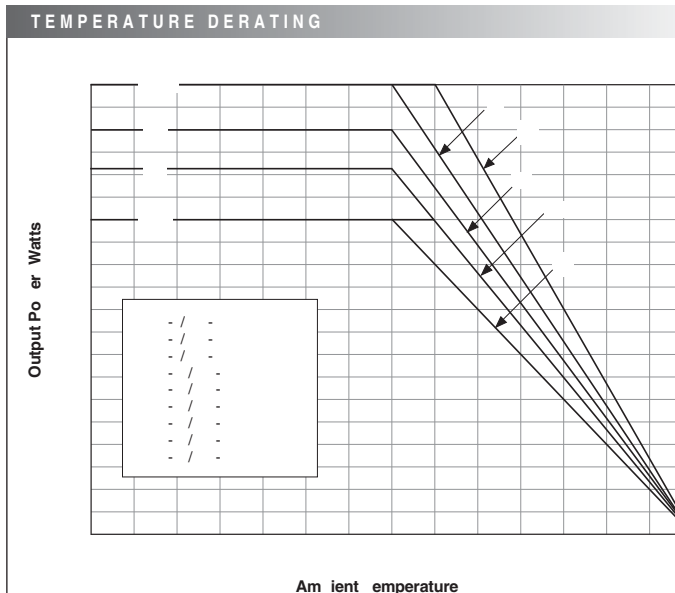
- ① Typical at T<sub>A</sub> = +25°C under nominal line voltage and full-load conditions unless otherwise noted.
  - ② Ripple/Noise (R/N) measured over a 20MHz bandwidth.
  - ③ Balanced loads, 20% to 100% load.
  - ④ Nominal line voltage, no-load/full-load conditions.
- \* Magnetic feedback.

#### PART NUMBER STRUCTURE

**BWR-15/330-D12A-C**

- B**: Output Configuration: Bipolar
- WR**: Wide Range Input
- 15**: Nominal Output Voltages: ±5, ±12 or ±15 Volts
- 330**: Maximum Output Current in mA from each output
- D12**: Input Voltage Range: D5 = 4.7-7.25 Volts (5V nominal), D12 = 9-18 Volts (12V nominal), D48 = 18-75 Volts (48V nominal)
- A**: A-Series High Reliability
- C**: RoHS-6 Compliance

Not all model combinations are available. Contact Murata Power Solutions.



I/O Connections	
Pin	Function P12
1	+Input
2	-Input
3	+Output
4	Common
5	-Output

**Notes:**

For "D5A" and "D12A" models, the case is connected to pin 2 (-V<sub>IN</sub>).

For "D48A" models, the case is connected to pin 1 (+V<sub>IN</sub>).

### Performance/Functional Specifications

Typical @ T<sub>A</sub> = +25°C under nominal line voltage and full-load conditions, unless noted. ①

Input	
<b>Input Voltage Range:</b>	
D5A Models	4.7-7.25 Volts (5V nominal)
D12A Models	9-18 Volts (12V nominal)
D48A Models	18-75 Volts (48V nominal)
<b>Input Current</b>	See Ordering Guide
<b>Input Filter Type</b> ②	Pi
<b>Reverse-Polarity Protection</b>	Yes (Instantaneous, 6A maximum)
Output	
<b>V<sub>OUT</sub> Accuracy (50% load):</b>	
±5V Outputs	±1.5%, maximum
±12/15V Outputs	±1%, maximum
<b>Temperature Coefficient</b>	±0.02% per °C
<b>Ripple/Noise (20MHz BW)</b> ②	See Ordering Guide
<b>Line/Load Regulation</b>	See Ordering Guide
<b>Efficiency</b>	See Ordering Guide
<b>Isolation Voltage</b> ③	1500Vdc, minimum (functional)
<b>Isolation Capacitance</b>	200pF
<b>Current Limiting</b>	Auto-recovery
<b>Overvoltage Protection</b> ④	Zener/transorb clamps, magnetic feedback
Dynamic Characteristics	
<b>Transient Response (50% load step)</b>	200µsec max. to ±1.5% of final value
<b>Switching Frequency</b>	165kHz (±15kHz)
Environmental	
<b>Operating Temperature (ambient):</b>	
Without Derating	-40 to +65/70°C (Model dependent)
With Derating	to +100°C (See Derating Curves)
<b>Storage Temperature</b>	-40 to +105°C
Physical	
<b>Dimensions</b>	2" x 1" x 0.375" (51 x 25 x 9.5mm)
<b>Shielding</b>	5-sided
<b>Case Connection:</b>	
D5A and D12A Models	Pin 2 (-V <sub>IN</sub> )
D48A Models	Pin 1 (+V <sub>IN</sub> )
<b>Case Material</b>	Corrosion resistant steel with non-conductive, epoxy-based black enamel finish and palstic baseplate
<b>Pin Material</b>	RoHS: Gold-plated copper alloy with nickel underplate Non-RoHS: Solder-coated brass
<b>Weight</b>	1.3 ounces (37 grams)
<b>Flammability</b>	UL 94V-0

① These power converters require a minimum 20% loading on each output to maintain specified regulation. Operation under no-load conditions will not damage these devices; however they may not meet all listed specifications.

② Application-specific internal input/output filtering can be recommended or perhaps added internally upon request. Contact MPS Applications Engineering for details.

③ Devices can be screened or modified for higher guaranteed isolation voltages.

Contact MPS Applications Engineering for details.

④ D5A Models: Zener/transorb only

### Absolute Maximum Ratings

<b>Input Voltage:</b>	
D5 Models	10 Volts
D12 Models	20 Volts
D48 Models	80Volts
<b>Input Reverse-Polarity Protection</b>	Current must be <6A. Brief duration only. Fusing recommended.
<b>Output Overvoltage Protection</b>	
±5V Outputs	13 Volts, limited duration
±12V Outputs	28 Volts, limited duration
±15V Outputs	36 Volts, limited duration
<b>Output Current</b>	Current limited. Max. current and short-circuit duration are model dependent.
<b>Storage Temperature</b>	-40 to +105°C
<b>Lead Temperature (soldering, 10 sec.)</b>	+300°C

These are stress ratings. Exposure of devices to any of these conditions may adversely affect long-term reliability. Proper operation under conditions other than those listed in the Performance/Functional Specifications Table is not implied.

### TECHNICAL NOTES

#### Floating Outputs

Since these are isolated DC/DC converters, their outputs are "floating." Any BWR model may be configured to produce an output of 10V, 24V or 30V (for ±5V, ±12V or ±15V models, respectively) by applying the load across the +Output and -Output pins (pins 3 and 5), with either output grounded. The Common pin (pin 4) should be left open. Minimum 20% loading is recommended under these conditions.

#### Filtering and Noise Reduction

All A-Series BWR 7-10 Watt DC/DC Converters achieve their rated ripple and noise specifications without the use of external input/output capacitors. In critical applications, input/output ripple and noise may be further reduced by installing electrolytic capacitors across the input terminals and/or low-ESR tantalum or electrolytic capacitors across the output terminals. Output capacitors should be connected between their respective output pin (pin 3 or 5) and Common (pin 4) as shown in Figure 2. The caps should be located as close to the power converters as possible. Typical values are listed in the tables below. In many applications, using values greater than those listed will yield better results.

#### To Reduce Input Ripple

"D5A" Models	47µF, 10V
"D12A" Models	20µF, 35V
"D48A" Models	10µF, 100V

#### To Reduce Output Ripple

±5V Output	47µF, 10V, Low ESR
±12/15V Outputs	22µF, 20V, Low ESR

In critical, space-sensitive applications, MPS may be able to tailor the internal input/output filtering of these units to meet your specific requirements. Contact our Applications Engineering Group for additional details.

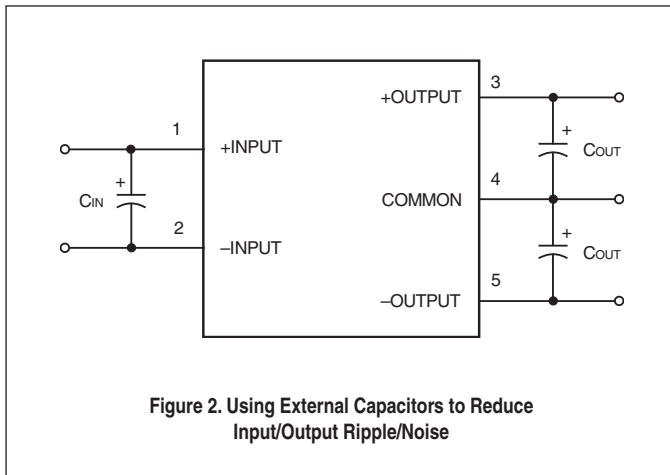


Figure 2. Using External Capacitors to Reduce Input/Output Ripple/Noise

**Input Fusing**

Certain applications and/or safety agencies may require the installation of fuses at the inputs of power conversion components. For MPS A-Series BWR 7-10 Watt DC/DC Converters, you should use slow-blow type fuses with values no greater than the following:

V <sub>IN</sub> Range	Fuse Value
"D5A"	3A
"D12A"	2A
"D48A"	1A

**CUSTOM CAPABILITIES**

MPS's world-class design, development and manufacturing team stands ready to work with you to deliver the exact power converter you need for your demanding, large volume, OEM applications. And ... we'll do it on time and within budget!

Our experienced applications and design staffs; quick-turn prototype capability; highly automated, SMT assembly facilities; and in-line SPC quality-control techniques combine to give us the unique ability to design and deliver any quantity of power converters to the highest standards of quality and reliability.

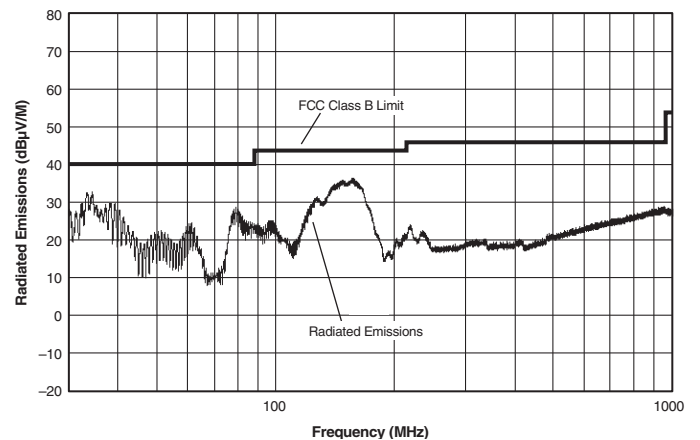
We have compiled a large library of DC/DC designs that are currently used in a variety of telecom, medical, computer, railway, aerospace and industrial applications. We may already have the converter you need.

Contact us. Our goal is to provide you the highest-quality, most cost-effective power converters available.

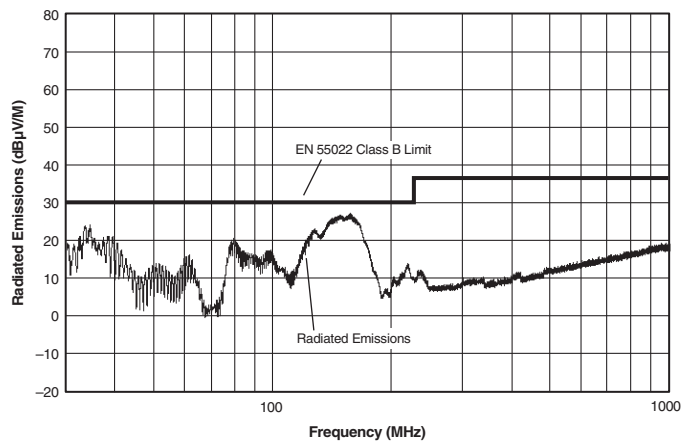
**EMI RADIATED EMISSIONS**

If you're designing with EMC in mind, please note that all of MPS's BWR 7-10 Watt A-Series DC/DC Converters have been characterized for radiated and conducted emissions in our new EMI/EMC laboratory. Testing is conducted in an EMC0 5305 GTEM test cell utilizing EMC0 automated EMC test software. Radiated emissions are tested to the limits of FCC Part 15, Class B and CISPR 22 (EN 55022), Class B. Correlation to other specifications can be supplied upon request. Radiated emissions plots to FCC and CISPR 22 for model BWR-15/330-D48A appear below. Published EMC test reports are available for each model number. Contact MPS's Applications Engineering Department for more details.

**BWR-15/330-D48A Radiated Emissions  
FCC Part 15 Class B, 3 Meters  
Converter Output = ±15Vdc @ ±300mA**



**BWR-15/330-D48A Radiated Emissions  
EN 55022 Class B, 10 Meters  
Converter Output = ±15Vdc @ ±300mA**



**Quality and Reliability**

The A-Series are the first DC/DC Converters to emerge from MPS's new, company-wide approach to designing and manufacturing the most reliable power converters available. The five-pronged program draws our Quality Assurance function into all aspects of new-product design, development, characterization, qualification and manufacturing.

**Design for Reliability**

Design for Reliability is woven throughout our multi-phased, new-product-development process. Design-for-reliability practices are fully documented and begin early in the new-product development cycle with the following goals:

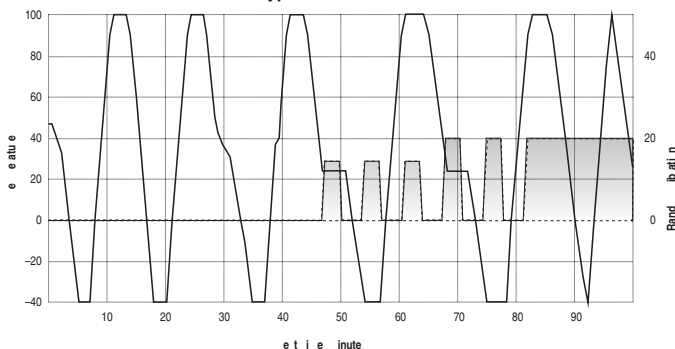
1. To work from an approved components/vendors list ensuring the use of reliable components and the rigorous qualification of new components.
2. To design with safety margins by adhering to a strict set of derating guidelines and performing theoretical worst-case analyses.
3. To locate potential design weaknesses early in the product-development cycle by using extensive HALT (Highly Accelerated Life Testing).
4. To prove that early design improvements are effective by employing a thorough FRACA (Failure Reporting Analysis and Corrective Action) system.

**HALT Testing**

The goal of the accelerated-stress techniques used by MPS is to force device maturity, in a short period of time, by exposing devices to excessive levels of "every stimulus of potential value." We use HALT (Highly Accelerated Life Testing) repeatedly during the design and early manufacturing phases to detect potential electrical and mechanical design weaknesses that could result in possible future field failures.

During HALT, prototype and pre-production DC/DC converters are subjected to progressively higher stress levels induced by thermal cycling, rate of temperature change, vibration, power cycling, product-specific stresses (such as dc voltage variation) and combined environments. The stresses are not meant to simulate field environments but to expose any weaknesses in a product's electro/mechanical design and/or assembly processes. The goal of HALT is to make products fail so that device weaknesses can be analyzed and strengthened as appropriate. Applied stresses are continually stepped up until products eventually fail. After

**Typical HALT Profile**



corrective actions and/or design changes, stresses are stepped up again and the cycle is repeated until the "fundamental limit of the technology" is determined.

MPS has invested in a Qualmark OVS-1 HALT tester capable of applying voltage and temperature extremes as well as 6-axis, linear and rotational, random vibration. A typical HALT profile (shown above) consists of thermal cycling (-55 to +125°C, 30°C/minute) and simultaneous, gradually increasing, random longitudinal and rotational vibration up to 20G's with load cycling and applied-voltage extremes added as desired. Many devices in MPS's new A-Series could not be made to fail prior to reaching either the limits of the HALT chamber or some previously known physical limit of the device. We also use the HALT chamber and its ability to rapidly cool devices to verify their "cold-start" capabilities.

**Qualification**

For each new product, electrical performance is verified via a comprehensive characterization process and long-term reliability is confirmed via a rigorous qualification procedure. The qual procedure includes such strenuous tests as thermal shock and 500 hour life. Qual testing is summarized below.

Qualification Testing	
Qualification Test	Method/Comments
HALT	MPS in-house procedure
High Temperature Storage	Max. rated temp., 1,000 hours
Thermal Shock	10 cycles, -55 to +125°C
Temperature/Humidity	+85°C, 85% humidity, 48 hours
Lead Integrity	MPS in-house procedure
Life Test	+70°C, 500 hours*
Marking Permanency	MPS in-house procedure
End Point Electrical Tests	Per product specification

\* Interim electrical test at 200 hours.

**In-Line Process Controls and Screening**

A combination of statistical sampling and 100% inspection techniques keeps our assembly line under constant control. Parameters such as solder-paste thickness, component placement, cleanliness, etc. are statistically sampled, charted and fine tuned as necessary. Visual inspections are performed by trained operators after pick-and-place, soldering and cleaning operations. Units are 100% electrically tested prior to potting. All devices are temperature cycled, burned-in, hi-pot tested and final-electrical tested prior to external visual examination, packing and shipping.

**Rapid Response to Problems**

MPS employs an outstanding corrective-action system to immediately address any detected shortcomings in either products or processes. Whenever our assembly, quality or engineering personnel spot a product/process problem, or if a product is returned with a potential defect, we immediately perform a detailed failure analysis and, if necessary, undertake corrective actions. Over time, this system has helped refine our assembly operation to yield one of the lowest product defect rates in the industry.

Murata Power Solutions, Inc.  
11 Cabot Boulevard, Mansfield, MA 02048-1151 U.S.A.  
ISO 9001 and 14001 REGISTERED



**This product is subject to the following [operating requirements](#) and the [Life and Safety Critical Application Sales Policy](#): Refer to: <http://www.murata-ps.com/requirements/>**

Murata Power Solutions, Inc. makes no representation that the use of its products in the circuits described herein, or the use of other technical information contained herein, will not infringe upon existing or future patent rights. The descriptions contained herein do not imply the granting of licenses to make, use, or sell equipment constructed in accordance therewith. Specifications are subject to change without notice. © 2012 Murata Power Solutions, Inc.

